

F — Peel Pouch

PACKAGING:
CEC - 12

Country	PL	City	KIELCE	Code	C23952
Institution	WSZZ			Issue	00
Circuit type	AD./ WITHOUT FILTER			Page	1 of 2

This document contains confidential and is confidential information of SORIN GROUP ITALIA

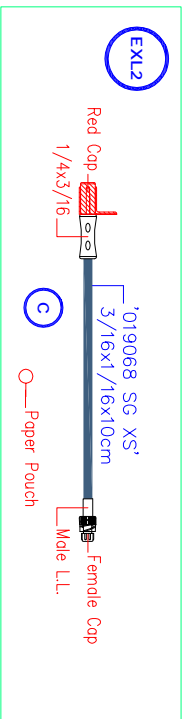
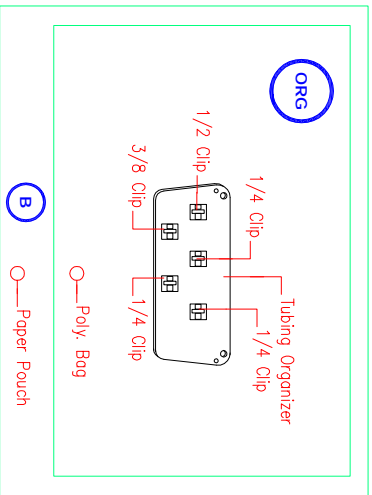
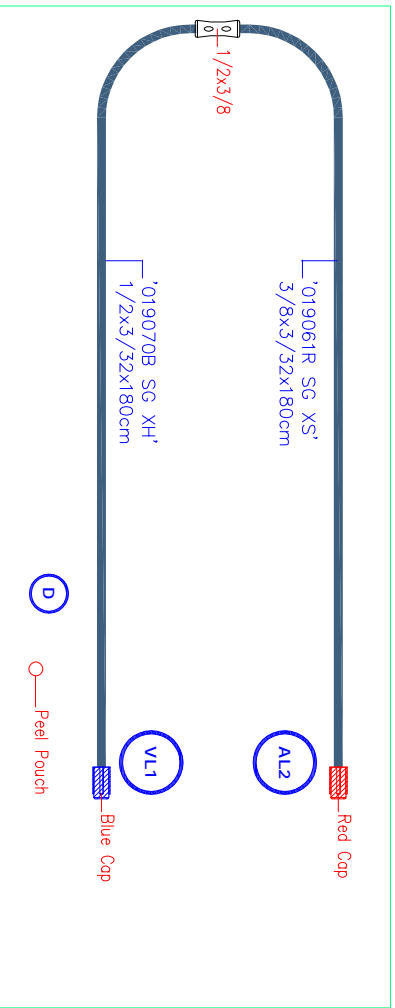
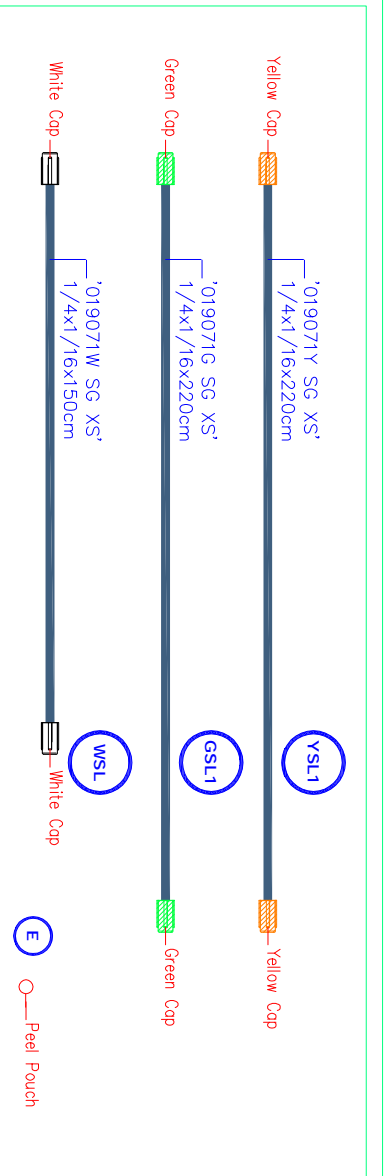
Drawn by: Venneri I.



SORIN GROUP
AT THE HEART OF MEDICAL TECHNOLOGY

All design, reproduction, manufacturing, use or such information are reserved.

Dideco Perfusion Tubing Systems



Label TABLE SET

Peel Pouch

PACKAGING:

Country PL City KIELCE
Institution WSZZ
Circuit type AD./ WITHOUT FILTER

Code C23952
Issue 00
Page 2 of 2

This document contains confidential and is confidential information of SORIN GROUP ITALIA

Drawn by Venneri I.

Date 18.10.2017



All design, reproduction, manufacturing, use and distribution of such information are reserved.

Dideco Perfusion Tubing Systems