

PACKAGING:

CEC - 12

Country	PL	City	KIELCE	Code	C23954
Institution	WSZZ			Issue	01
Circuit type	AD./ WITH PUMP-NO FILTER				
Page	1 of 2				

This document contains confidential information of SORIN GROUP ITALIA

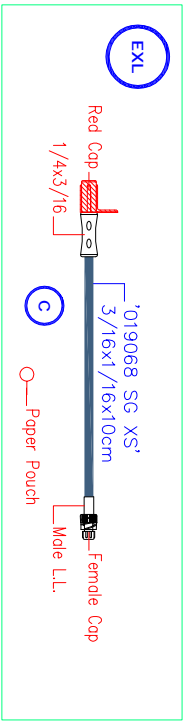
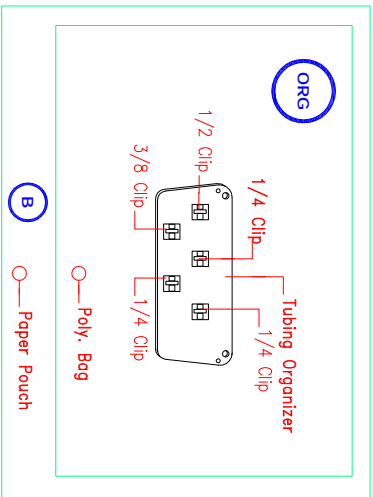
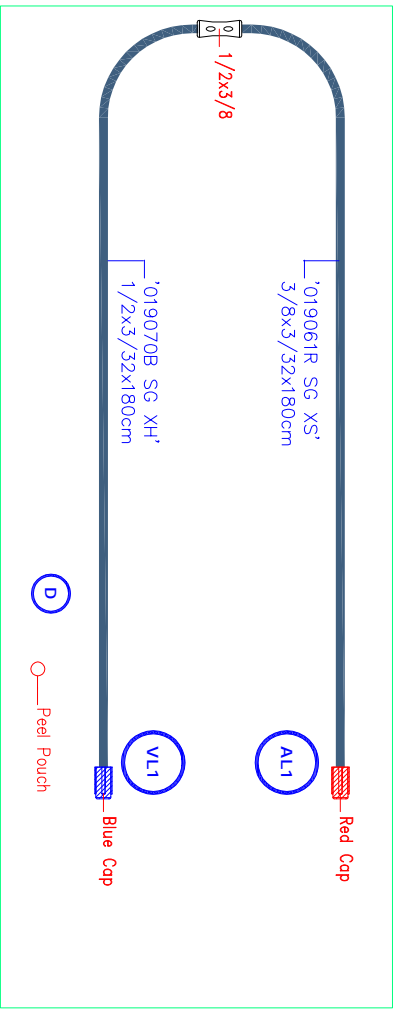
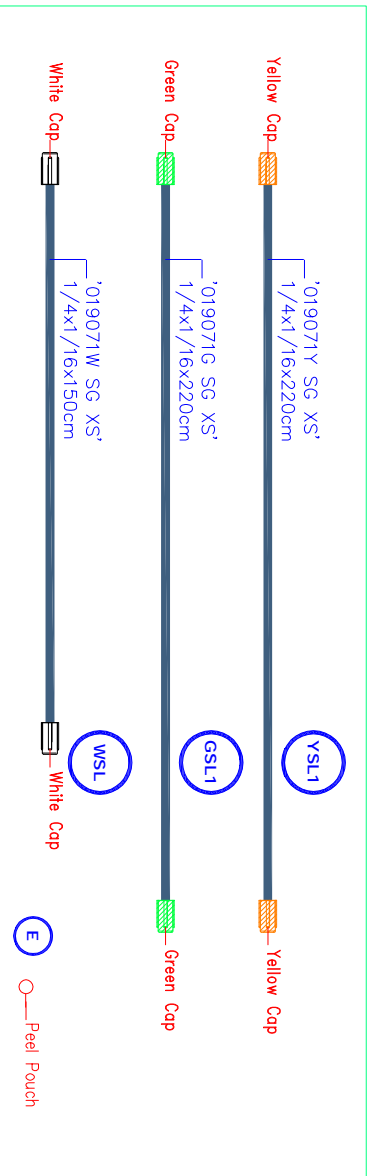
Drawn by: Venneri I.



All design, reproduction, manufacturing, use and distribution in such information are reserved.

Dideco Perfusion Tubing Systems





Label TABLE SET

Peel Pouch

PACKAGING:

Country: PL
City: KIELCE
Institution: WSZZ
Circuit type: AD./ WITH PUMP-NO FILTER

Code: C23954
Issue: 01
Page: 2 of 2

This document contains confidential and is confidential information of SORIN GROUP ITALIA

Drawn by: Venneri I.
Date: 23.10.2017



All design, reproduction, manufacturing, use in such information are reserved.

Dideco Perfusion Tubing Systems